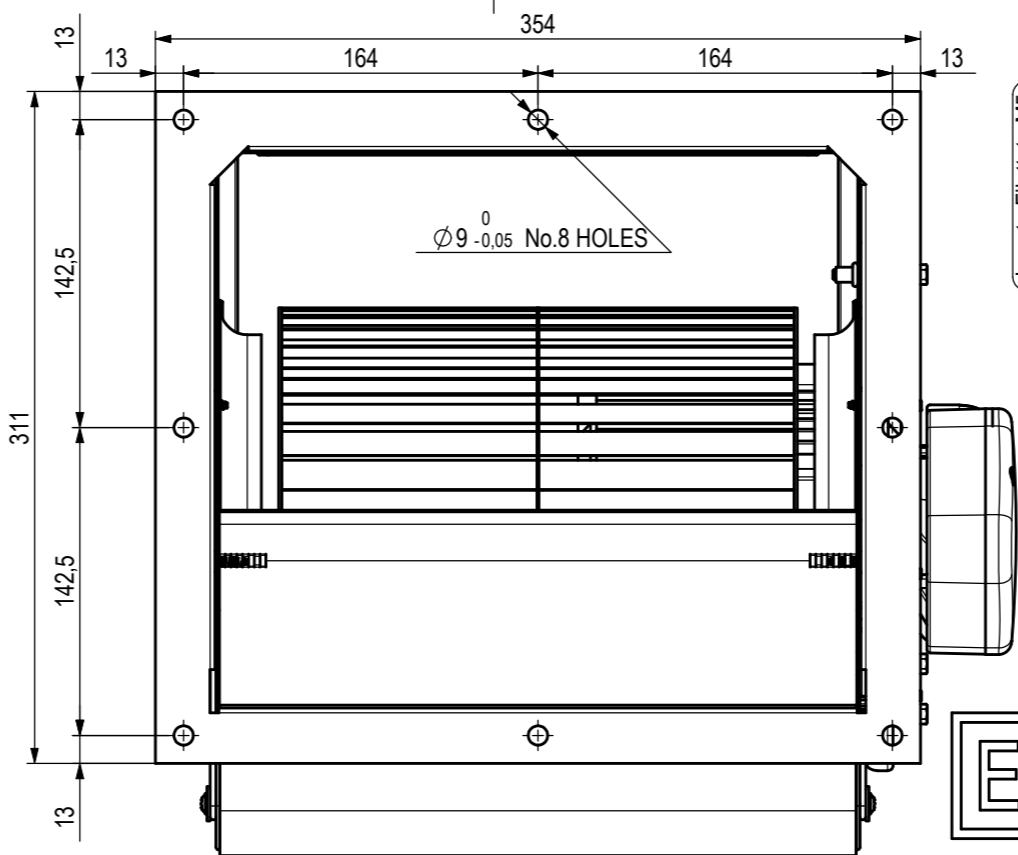
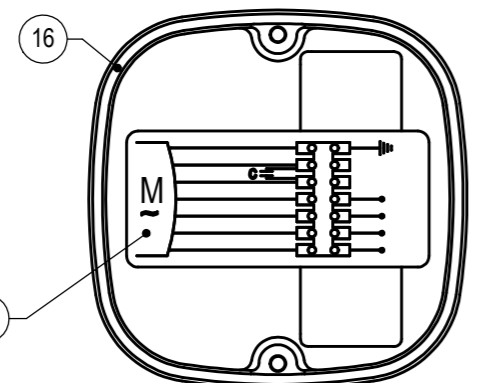
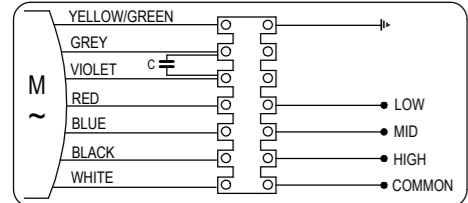
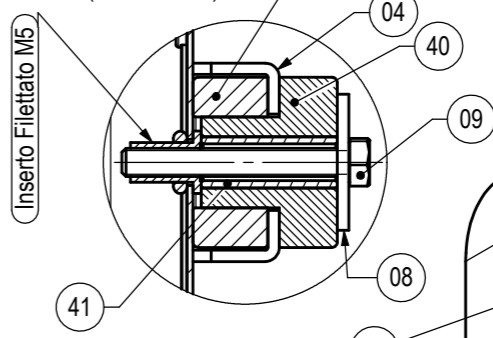


SCREW TORQUE IN ACCORDANCE WITH EL.UN.0106
(Coppia di serraggio viti secondo normativa EL.UN.0106)

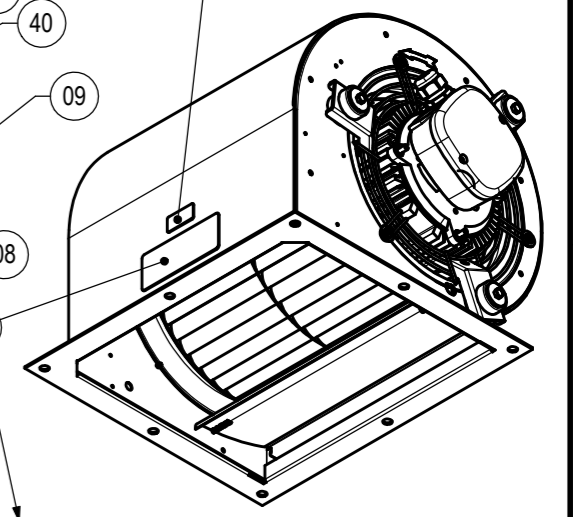
MATERIALS (Materiali)	GALVANIZED IRON SHEET - TabLock (Lamiere Zincate)
- BLOWER (Ventola)	GALVANIZED IRON SHEET (Lamiere Zincate)
- HOUSING (Coclea)	GALVANIZED IRON SHEET (Lamiere Zincate)
- BRACKET (Squadretta)	GALVANIZED IRON SHEET (Lamiere Zincate)
- SCREWS, WASHERS AND NUTS (Viti, Dadi e Rondelle)	GALVANIZED IRON (Zincati)
BALANCING GRADE (Grado di Bilanciatura)	G. 6,3
ELECTRICAL SPECIFICATION (Prescrizione di Collaudo)	G. 2351/1A



SECTION B-B
(Sezione B-B)

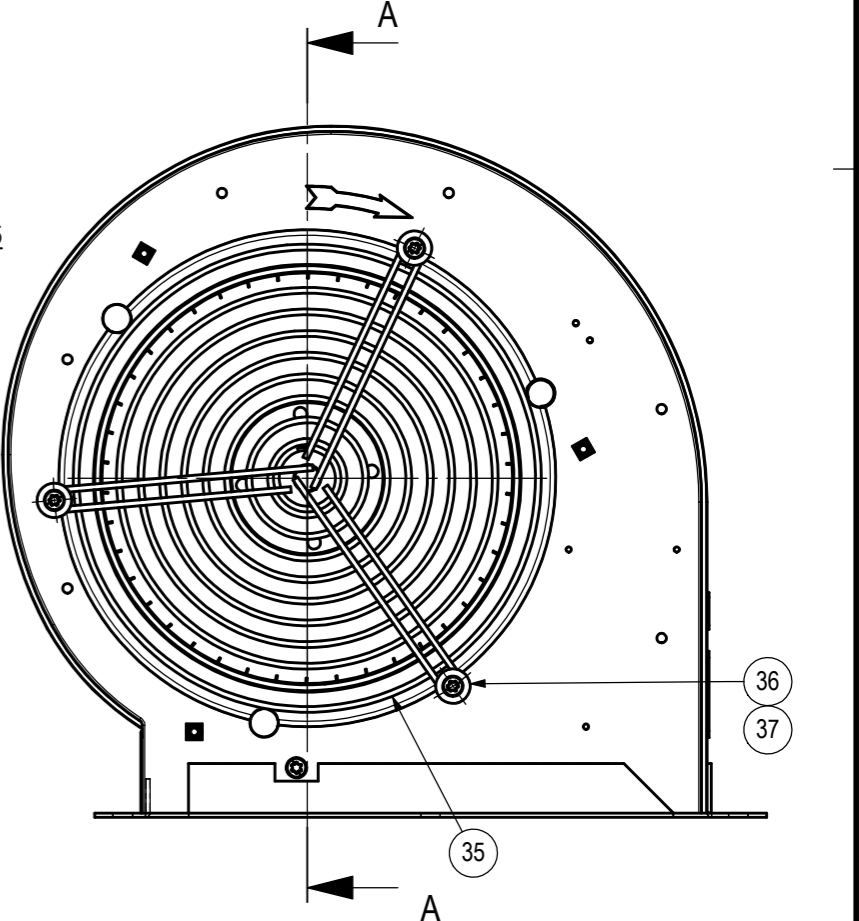
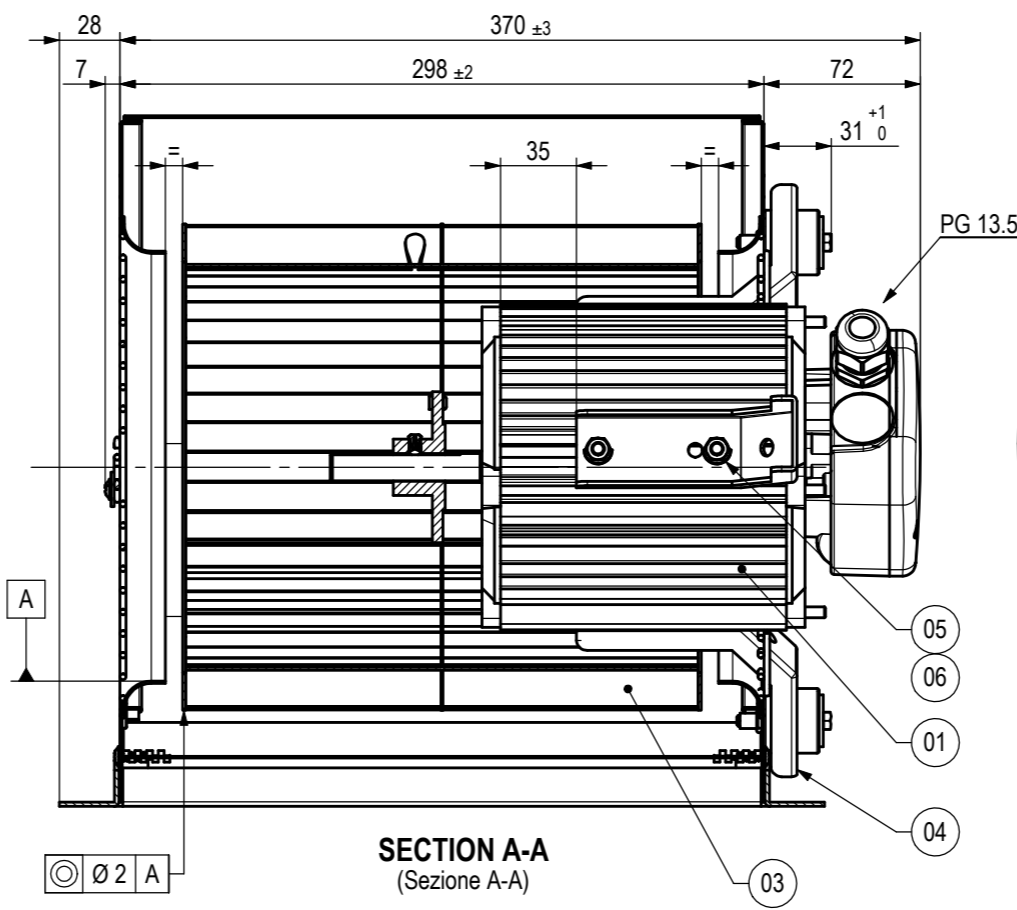
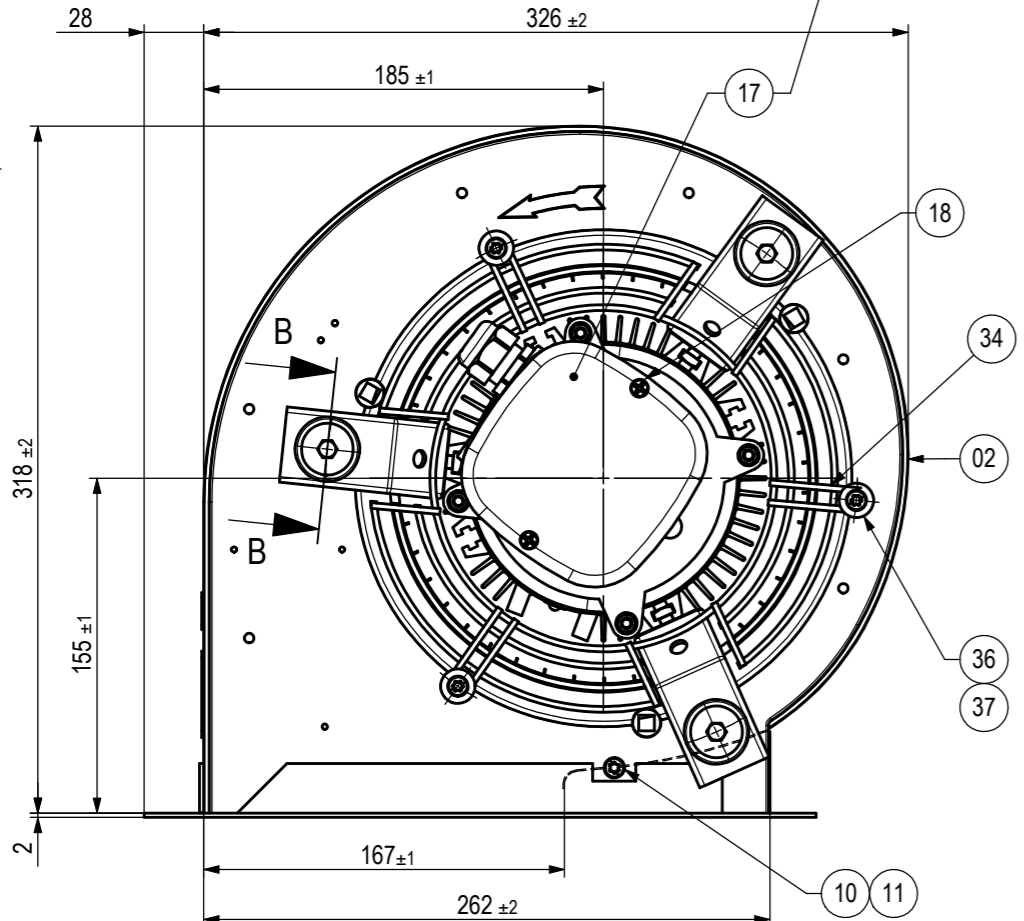


ISOMETRIC VIEW
(Vista Isometrica)



CODE: DEHF43CB01FR ErP2015
TYPE: DD 9/9T 300-4P-3V-M / 357 CE
 230V 1~ 50/60 Hz 300W 1300Rpm 6,3µF 450VL
 4.1 Amax (50Hz) - 4.4 Amax (60Hz)
 Th.Prot. CL.F IP55
 ηe=34,6(A.Static) N(2015)44 N=44,0 Win@ηmax.=326W
 MOTOR : FGEM43TC0478S DATE

ErP 2015



Rel.	Date	Description	Executor signature	Checked

MODIFICATIONS

For dimension without tolerance see standard UNI EN 22768-mK	Treatment	A3
Material		
Drawn D.Riboldi Date 17-12-2014 Check <i>[Signature]</i> Scale ---	CENTRIFUGAL BLOWER 230V 1~ 50/60Hz DD 9/9T 300-4P-3V-M / 357	Weight gr. Ref. No. Release -
DEHF43CB01FR		