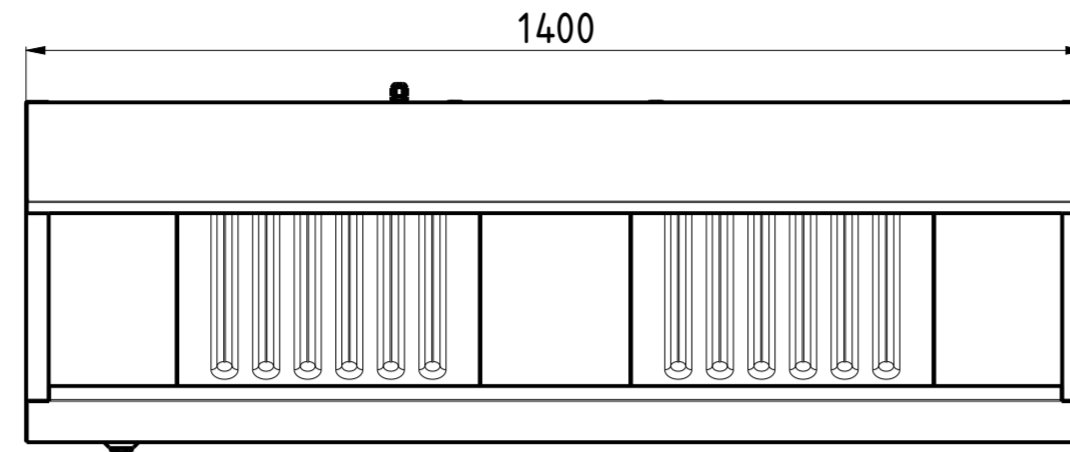
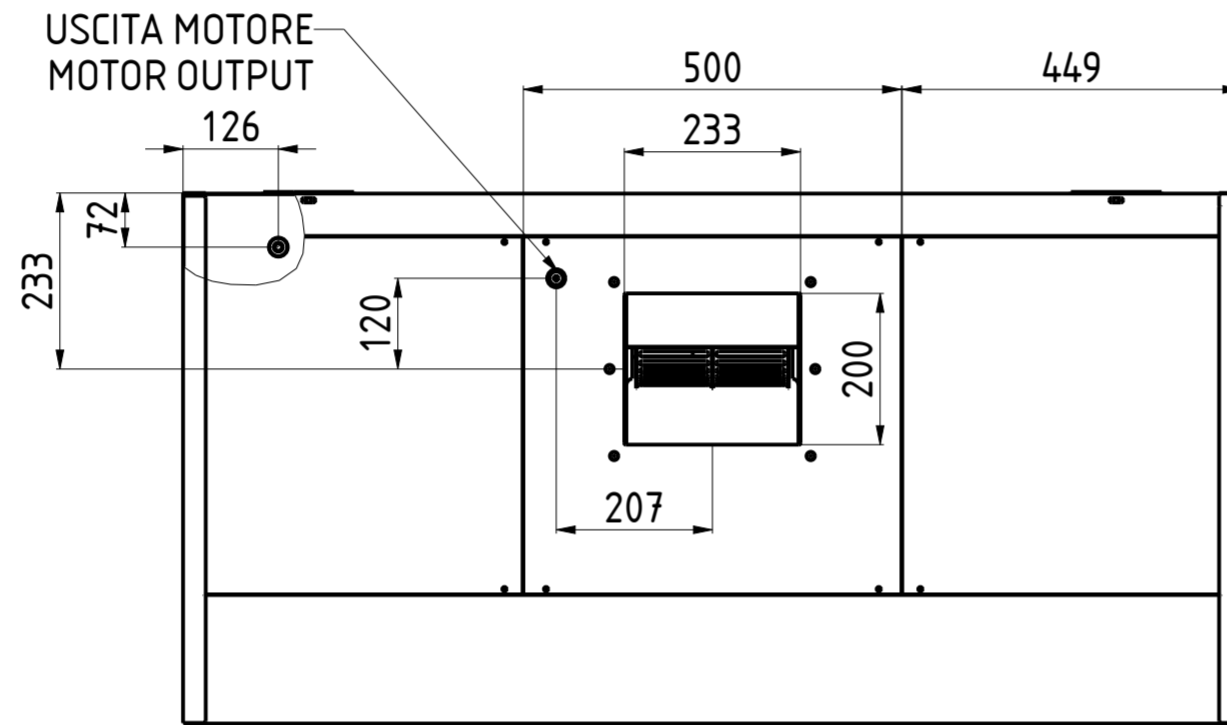


# CHCSK0714M

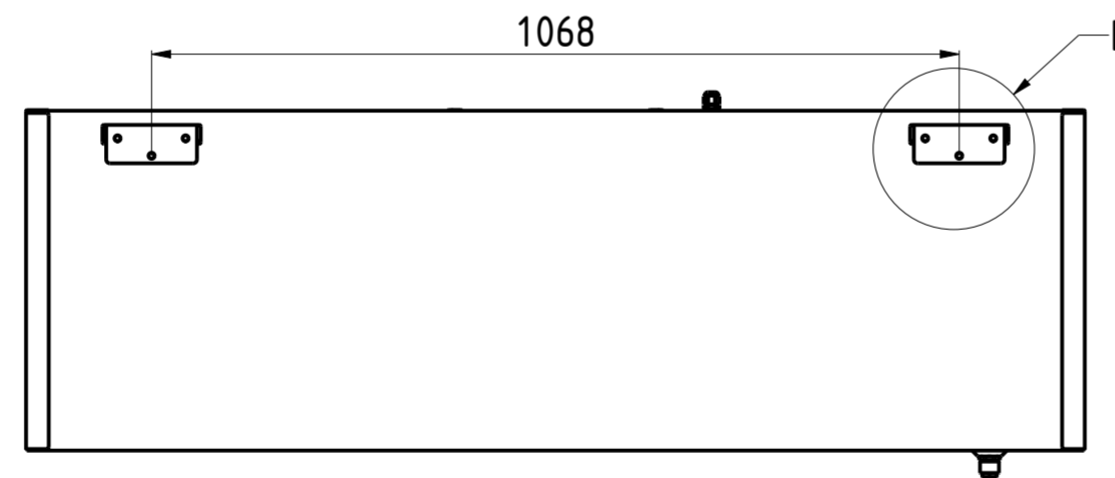


FRONT VIEW 1:10

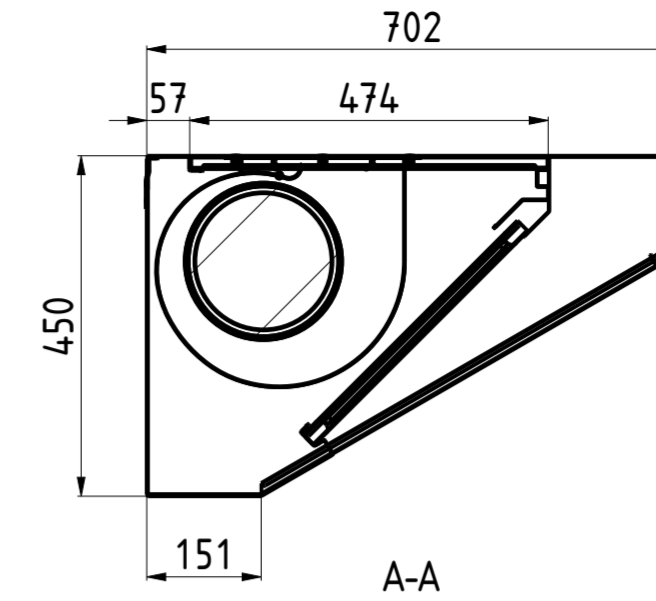
SCARICO  
DRAIN



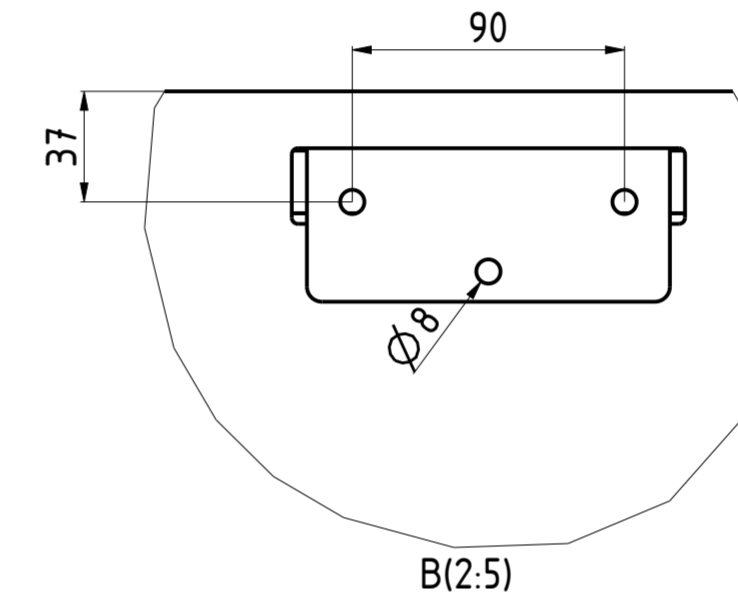
B-B



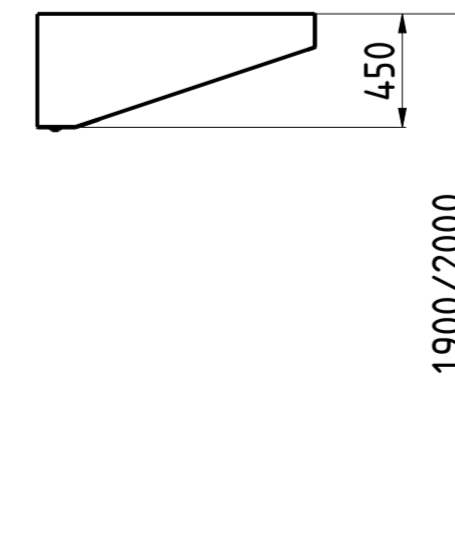
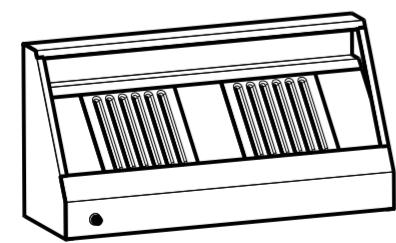
BACK VIEW 1:10



A-A



B(2:5)



NR. LUCI NR. LIGHTS	PORTATA FLOW RATE	HST mmH <sub>2</sub> O	WATT	SDR	PESO (Kg) WEIGHT (Kg)
—	1230	23	147	7/7	58

DATA DATE	MODIF. N. MODIF. NO.	DESCRIZIONE MODIFICHE MODIFICATION DESCRIPTION	DISegnATO DRAWN BY	APPROVATO APPROVED
MODELLO CAPPINA SNACK CON MOTORE 7/14 MODEL SNACK HOOD WITH MOTOR 7/14			DISEGNO N. DRAWING NO. DSSM_7-14	SCALA SCALE -
PARTICOLARE SCHEDA TECNICA DETAIL DATA SHEET			DISEGNATO DRAWN BY M.PAPI	DATA DATE -
MATERIALE MATERIAL AISI 304 - AISI 430	SPESS. THICK. -		APPROVATO APPROVED	SHEET 2 OF 3
FINITURA FINISH	PEZZI N. PIECES NO.	SOSTITUISCE IL DIS. N. IT REPLACES DRAWING NO.		ULTIMA EMISS. LAST EDITION
TRATTAMENTO TREATMENT	COLORE COLOUR	SOSTITUITO DAL DIS. N. REPLACED BY DRAWING NO.		
		RISTOPRO SRL FRAZ. BORGO TUFICO, 47 FABRIANO (AN) ITALY +39.732.043494 WWW.RISTOPRO.COM		 mm
		FORM.A-2		

ELABORATO CON SISTEMA CAD  
DESIGNED BY CAD/STEM  
  
 QUOTA PRIMARIA  
PRIMARY DIMENSION  
XX  
  
 ANGOLI  
Angles  
±0.30°  
  
 TOLLERANZA UNLESS OTHERWISE STATED  

>500	±0.75
400-500	±0.65
315-400	±0.60
250-315	±0.55
180-250	±0.50
120-180	±0.45
80-120	±0.40
50-80	±0.35
30-50	±0.30
18-30	±0.25
10-18	±0.20
5-10	±0.15
0-5	±0.10

 LUNGH. E DIAM.  
LENGTH AND DIAM.  
mm