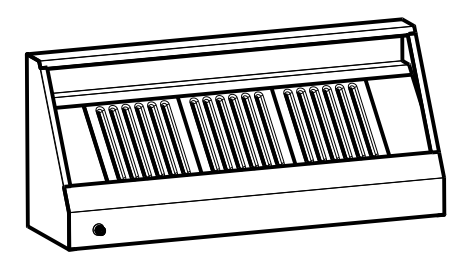
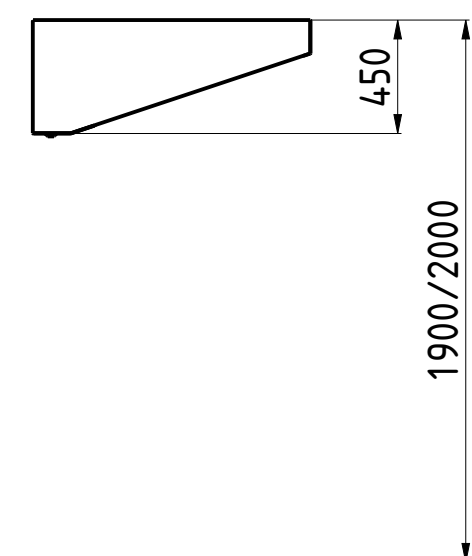
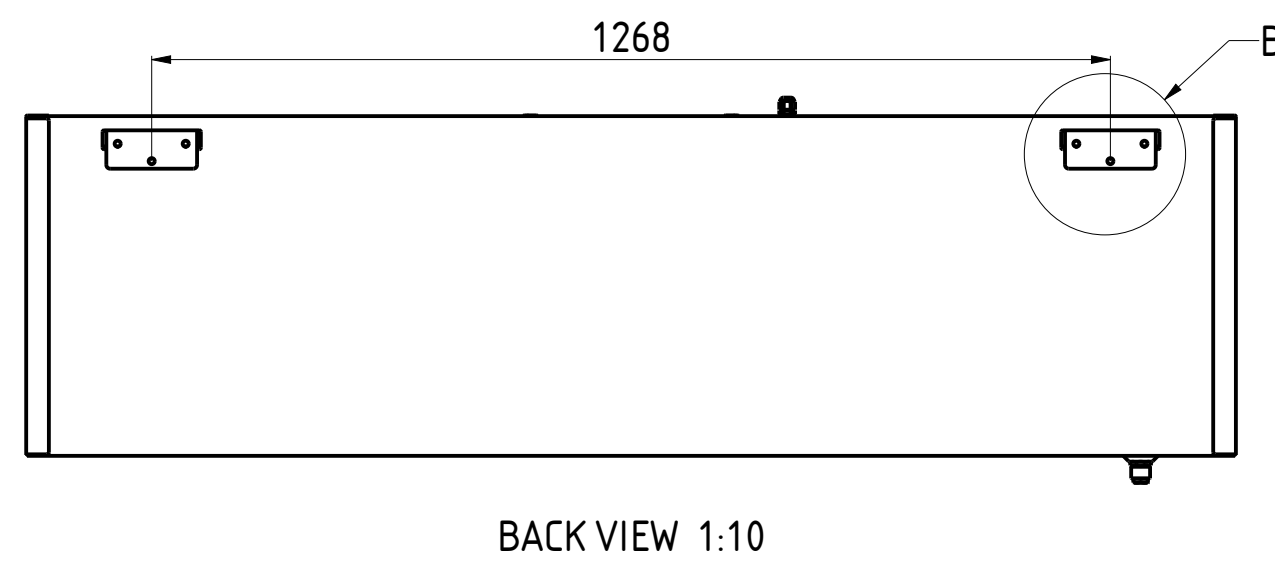
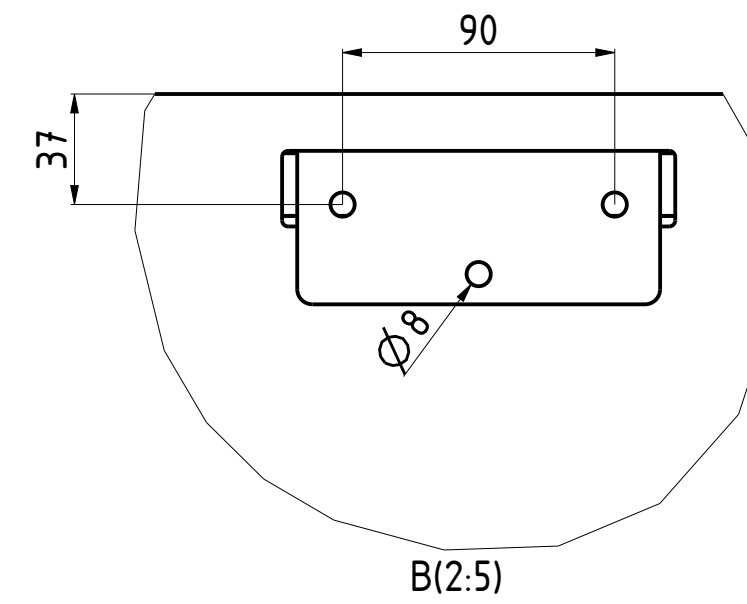
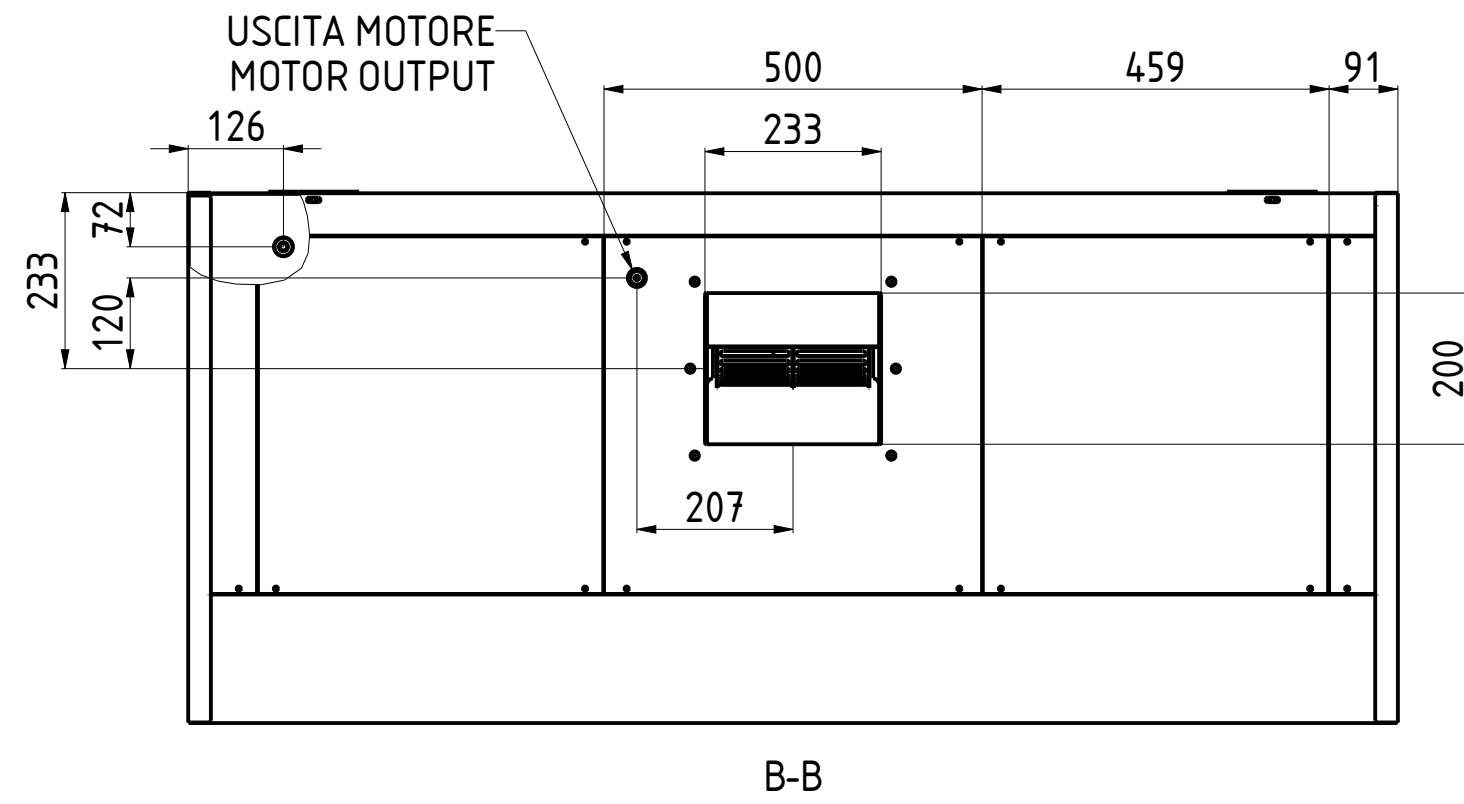
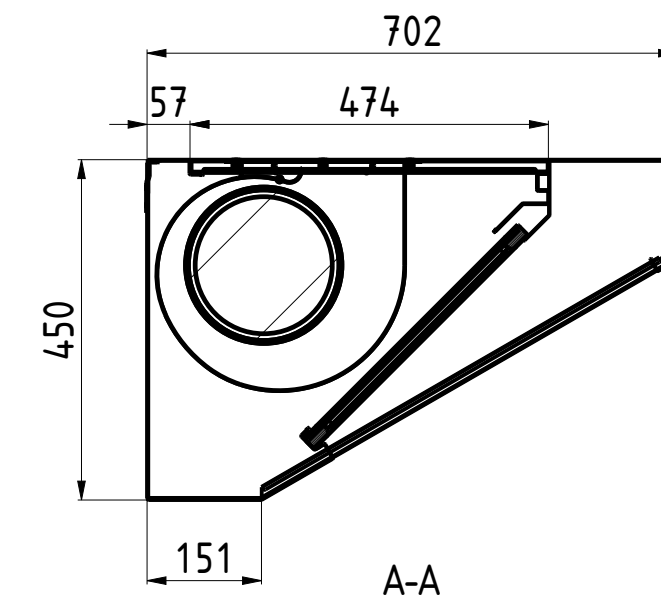
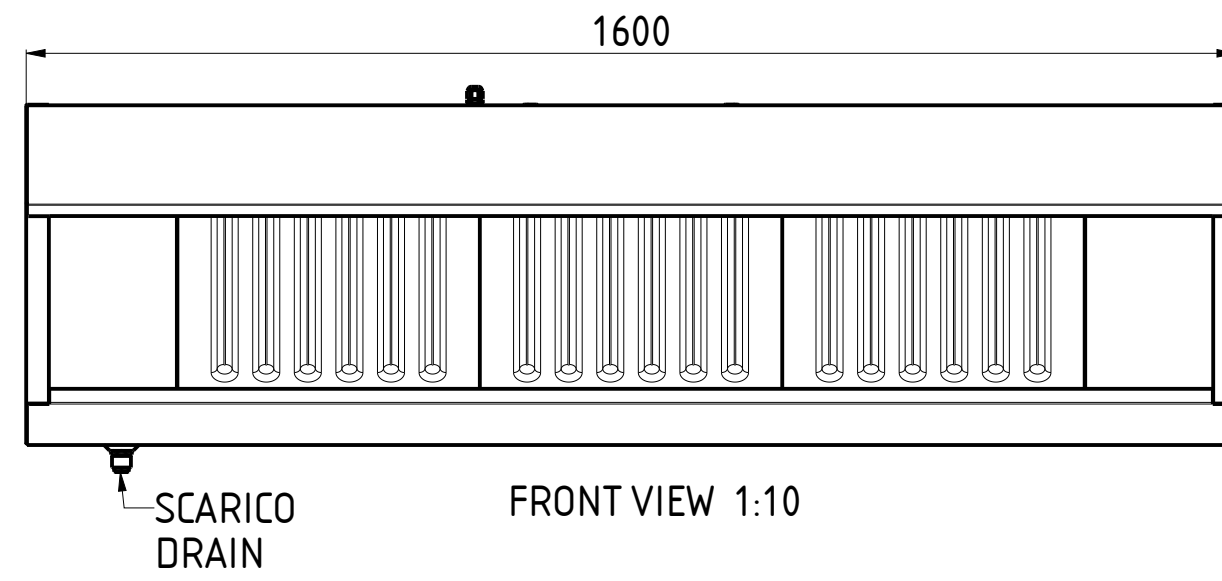


# CHCSK0716M



NR. LUCI NR. LIGHTS	PORTATA FLOW RATE	HST mmH <sub>2</sub> O	WATT	SDR	PESO (Kg) WEIGHT (Kg)
—	1400	20	147	7/7	63

DATA DATE	MODIF. N. MODIF. NO.	DESCRIZIONE MODIFICHE MODIFICATION DESCRIPTION	DISEGNATO DRAWN BY	APPROVATO APPROVED
MODELLO CAPPA SNACK CON MOTORE 7/16 MODEL SNACK HOOD WITH MOTOR 7/16		DISEGNO N. DRAWING NO. DSSM_7-16	SCALA SCALE -	
PARTICOLARE SCHEDA TECNICA DETAIL DATA SHEET		DISEGNATO DRAWN BY M.PAPI	DATA DATE -	
MATERIALE MATERIAL AISI 304 - AISI 430	SPES. THICK. -	APPROVATO APPROVED	SHEET 2 OF 5	
FINITURA FINISH	PEZZI N. PIECES NO.	SOSTITUISCE IL DIS. N. IT REPLACES DRAWING NO.		ULTIMA EMISS. LAST EDITION
TRATTAMENTO TREATMENT	COLORE COLOUR	SOSTITUITO DAL DIS. N. REPLACED BY DRAWING NO.		

RISTOPRO SRL  
 FRAZ. BORGO TUFICO, 47 FABRIANO (AN)  
 ITALY +39.732.043494  
 WWW.RISTOPRO.COM

mm

FORM.A-2

ELABORATO CON SISTEMA CAD  
 DESIGNED BY CAD/STEM  
 QUOTA PRIMARIA  
 PRIMARY DIMENSION  
 XX  
 ANGOLI  
 Angles  
 >500  
 >±0.75  
 400-500  
 >±0.65  
 315-400  
 >±0.60  
 250-315  
 >±0.55  
 180-250  
 >±0.50  
 120-180  
 >±0.45  
 80-120  
 >±0.40  
 50-80  
 >±0.35  
 30-50  
 >±0.30  
 18-30  
 >±0.25  
 10-18  
 >±0.20  
 5-10  
 >±0.15  
 0-5  
 >±0.10  
 LUNGHEZZE E DIAMETRI  
 LENGTH AND DIAM.  
 TOLLERANZA UNLESS OTHERWISE STATED  
 TOLERANCE UNLESS OTHERWISE STATED