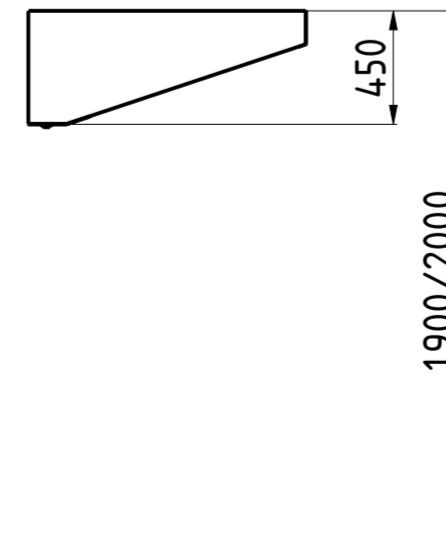
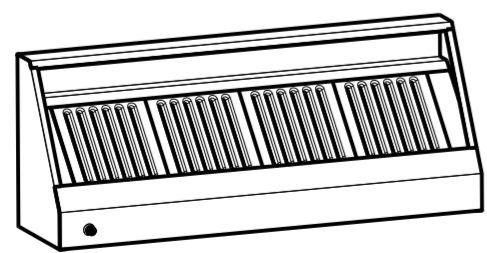
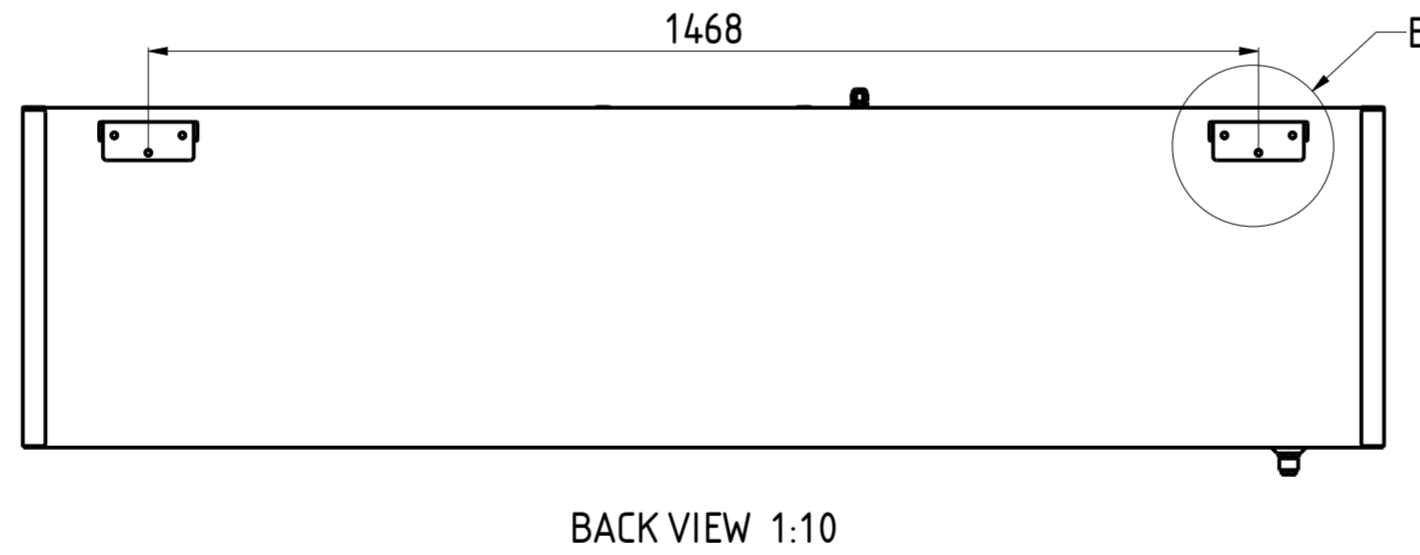
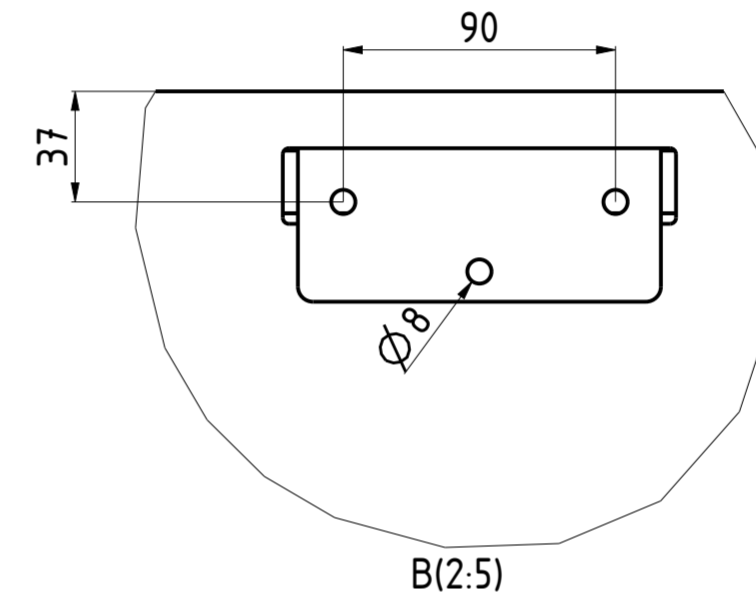
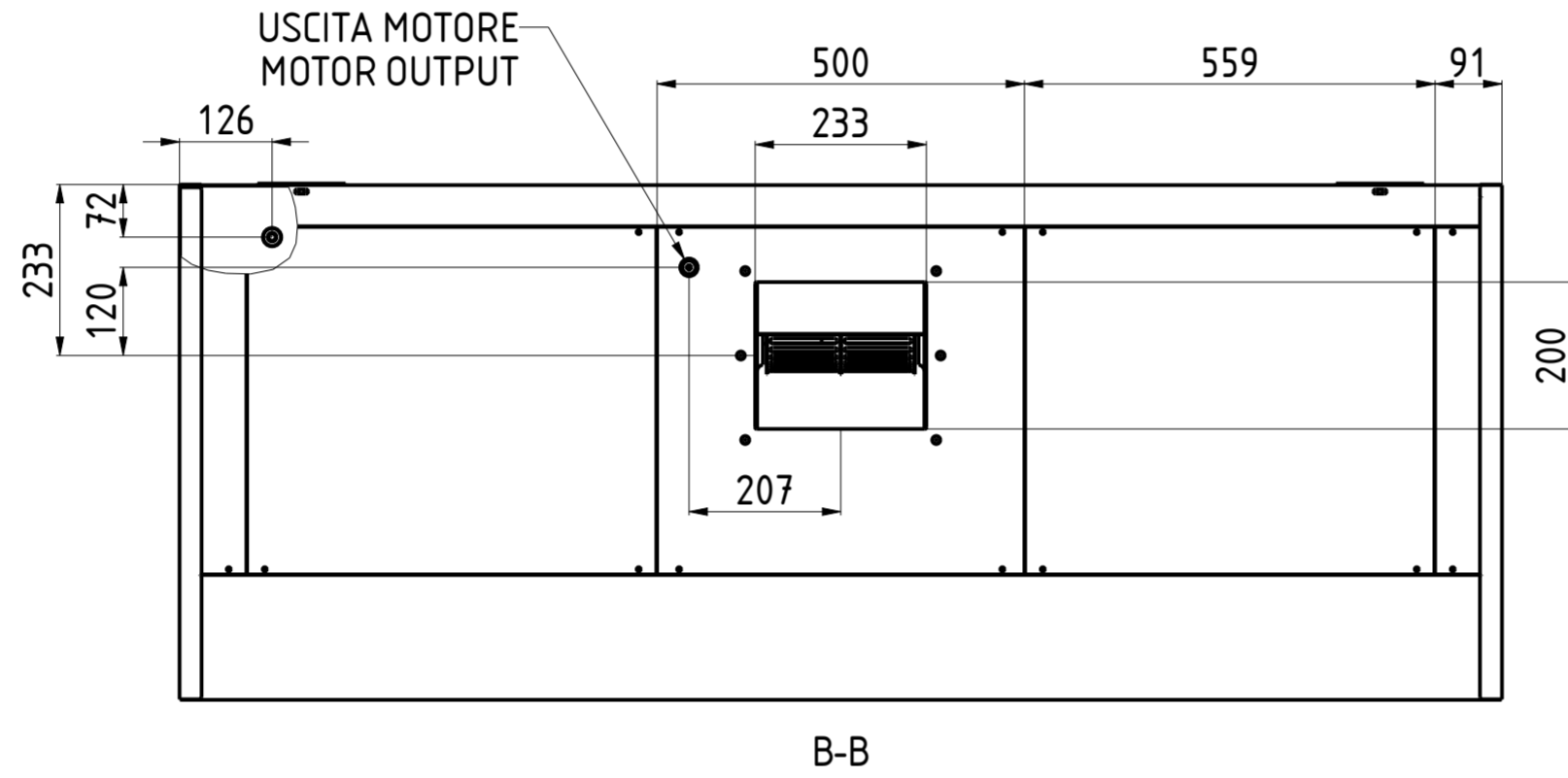
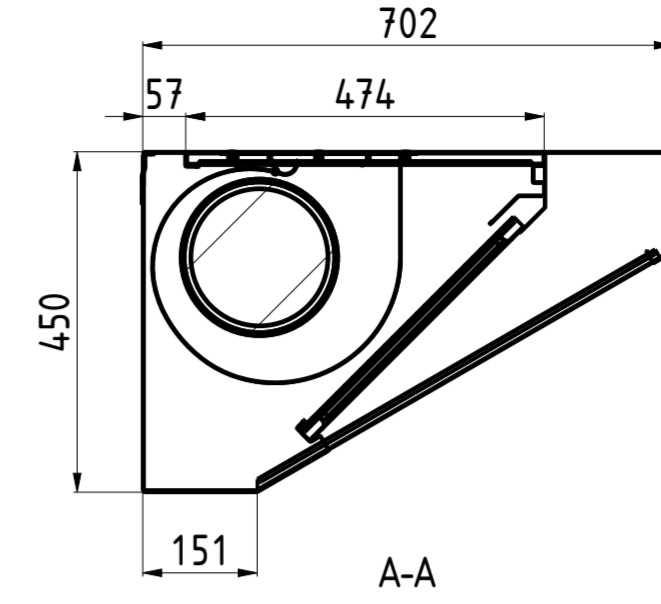
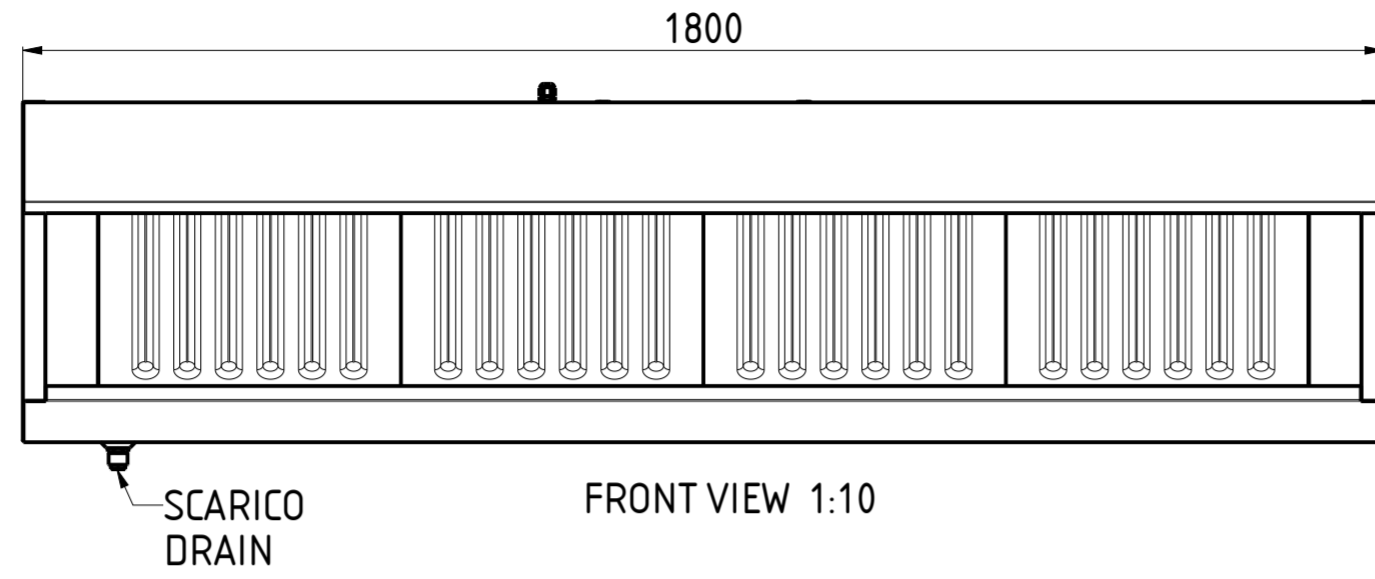


CHCSK0718M



| NR. LUCI NR. LIGHTS | PORTATA FLOW RATE | HST mmH ₂ O | WATT | SDR | PESO (Kg) WEIGHT (Kg) |
|------------------------|----------------------|------------------------|------|-----|--------------------------|
| — | 1600 | 15 | 147 | 7/7 | 74 |

| DATA DATE | MODIF. N. MODIF. NO. | DESCRIZIONE MODIFICHE MODIFICATION DESCRIPTION | DISegnATO DRAWN BY | APPROVATO APPROVED |
|---|-------------------------|--|-----------------------|-------------------------------|
| | | | | |
| MODELLO CAPPINA SNACK CON MOTORE 7/18 MODEL SNACK HOOD WITH MOTOR 7/18 | | DISEGNO N. DRAWING NO. DSSM_7-18 | SCALA SCALE - | |
| PARTICOLARE SCHEDA TECNICA DETAIL DATA SHEET | | DISEGNATO DRAWN BY M.PAPI | DATA DATE - | |
| MATERIALE MATERIAL AISI 304 - AISI 430 | SPES. THICK. - | APPROVATO APPROVED | SHEET 2 OF 5 | |
| FINITURA FINISH | PEZZI N. PIECES NO. | SOSTITUISCE IL DIS. N. IT REPLACES DRAWING NO. | | ULTIMA EMISS. LAST EDITION |
| TRATTAMENTO TREATMENT | COLORE COLOUR | SOSTITUITO DAL DIS. N. REPLACED BY DRAWING NO. | | |
| | | RISTOPRO SRL FRAZ. BORGO TUFICO, 47 FABRIANO (AN) ITALY +39.732.043494 WWW.RISTOPRO.COM | | mm |
| | | FORM.A-2 | | |

ELABORATO CON SISTEMA CAD
 DESIGNED BY CAD/STEM
 QUOTA PRIMARIA
 PRIMARY DIMENSION
 XX
 ANGOLI
 Angles
 >500
 >±0.75
 400-500
 >±0.65
 315-400
 >±0.60
 250-315
 >±0.55
 180-250
 >±0.50
 120-180
 >±0.45
 80-120
 >±0.40
 50-80
 >±0.35
 30-50
 >±0.30
 18-30
 >±0.25
 10-18
 >±0.20
 5-10
 >±0.15
 0-5
 >±0.10
 LUNGH. E DIAM.
 LENGTH AND DIAM.
 TOLLERANCE UNLESS OTHERWISE STATED
 QUOTE SENZA TOLLERANZA