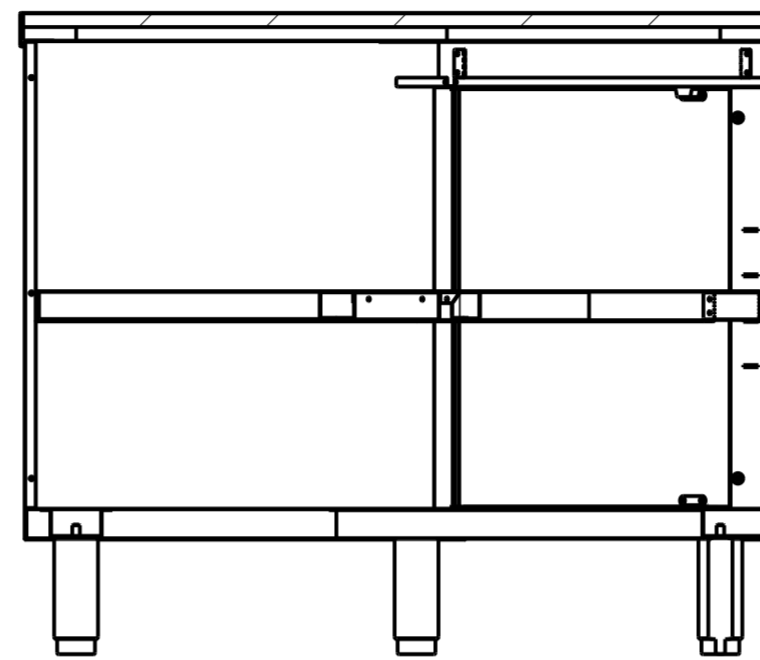
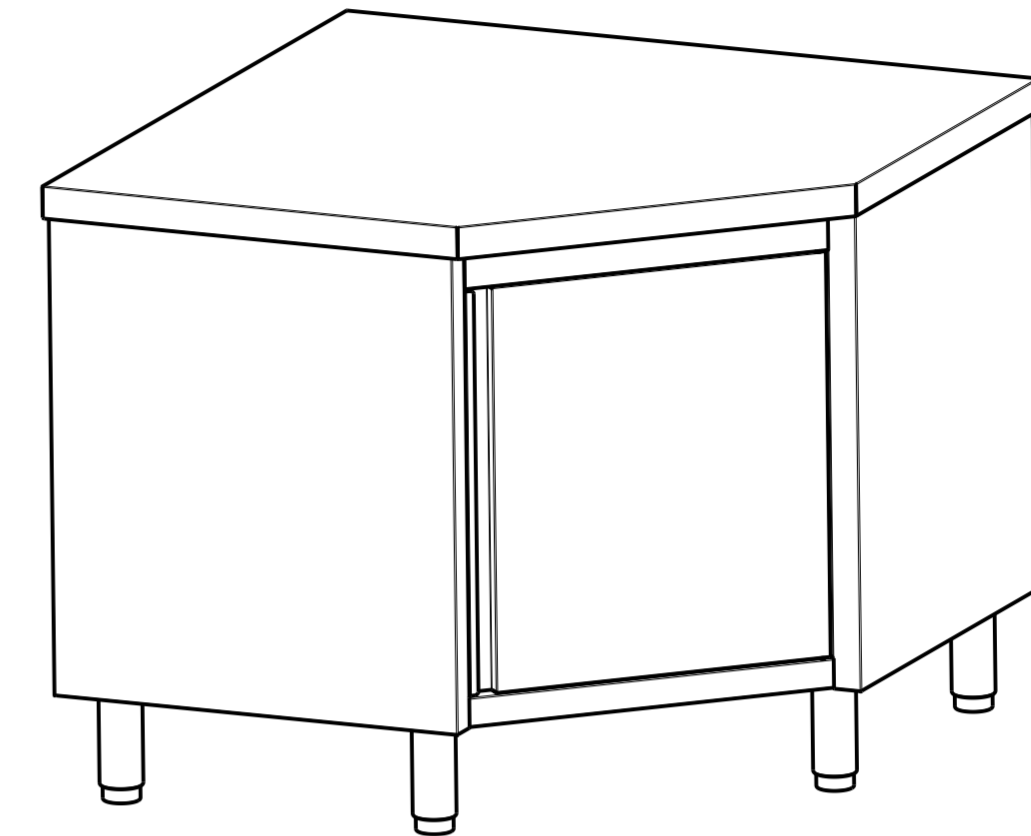


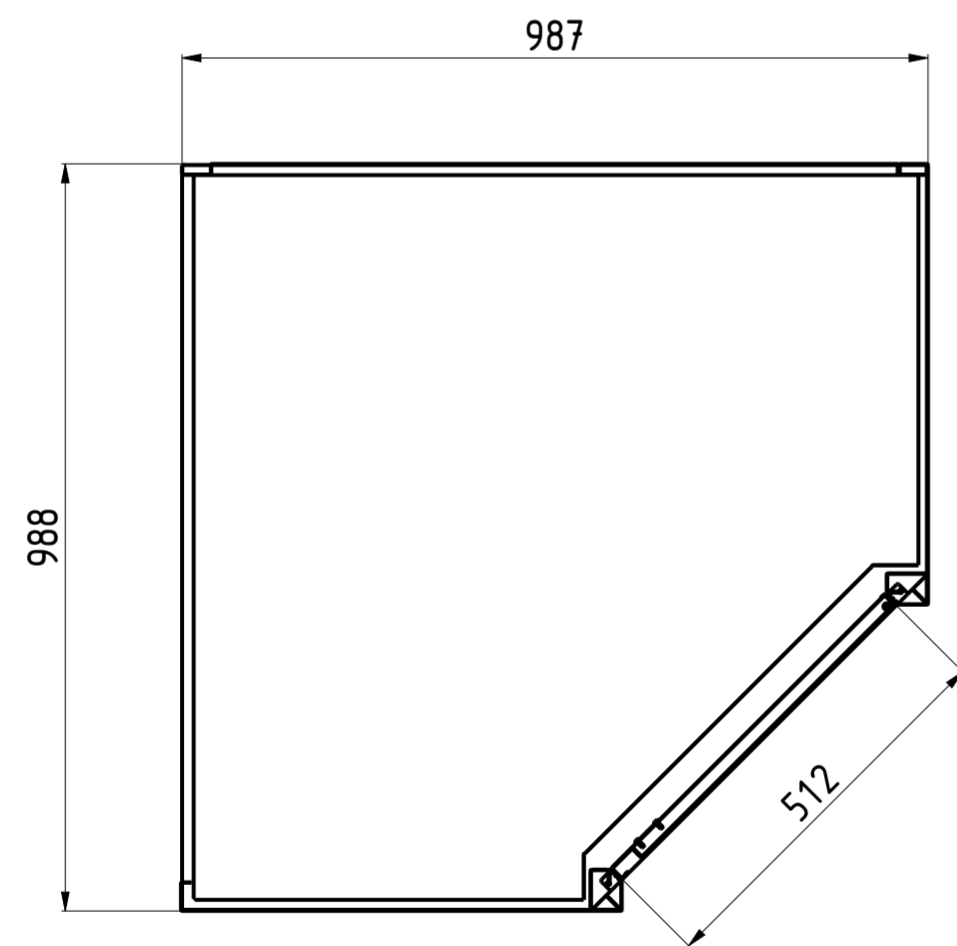
FRONT VIEW B-B 1:10



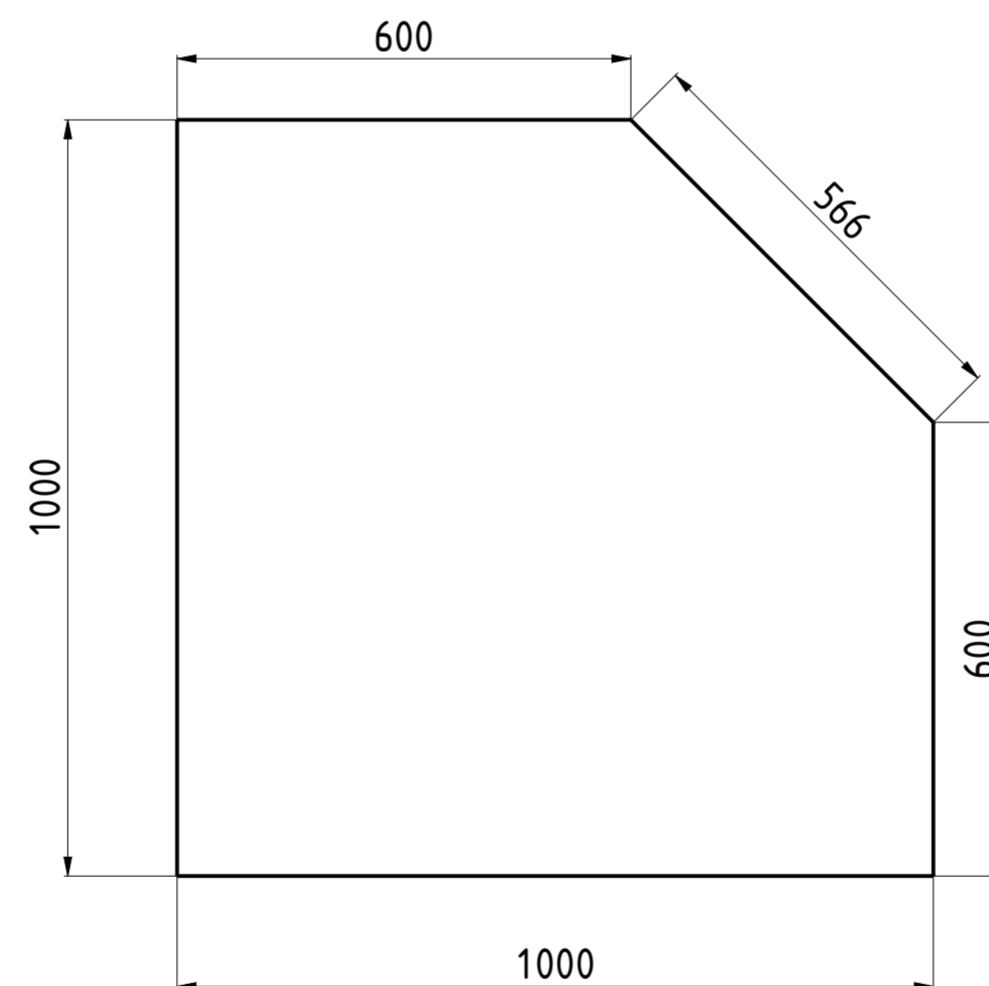
A-A



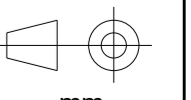
3D VIEW 1:10



INTERNAL DIM D-D



DATA DATE	MODIF. N. MODIF. NO.	DESCRIZIONE MODIFICHE MODIFICATION DESCRIPTION	DISegnATO DRAWN BY	APPROVATO APPROVED
MODELLO MODEL	TAVOLO ARMADIATO ANGOLO 100x60 CORNER CUPBOARD 100x60		DISegno N. DRAWING NO. DSTAAPB106	SCALA SCALE -
PARTICOLARE DETAIL	SCHEDA TECNICA DATA SHEET		DISegnATO DRAWN BY M.PAPI	DATA DATE -
MATERIALE MATERIAL	SPES.S. THICK.	APPROVATO APPROVED	SHEET 1 OF 3	
FINITURA FINISH	PEZZI N. PIECES NO.	SOSTITUISCE IL DIS. N. IT REPLACES DRAWING NO.	ULTIMA EMISS. LAST EDITION	
TRATTAMENTO TREATMENT	COLORE COLOUR	SOSTITUITO DAL DIS. N. REPLACED BY DRAWING NO.		



mm

FORM.A-2

TOLLERANZA UNLESS OTHERWISE STATED
 QUOTE SENZA TOLLERANZA
 LUNGH. E DIAM. LENGTH AND DIAM.
 ANGOLI Angles
 QUOTA PRIMARIA PRIMARY DIMENSION
 ELABORATO CON SISTEMA CAD DESIGNED BY CAD/STEM

>500	±0.75
400-500	±0.65
315-400	±0.60
250-315	±0.55
180-250	±0.50
120-180	±0.45
80-120	±0.40
50-80	±0.35
30-50	±0.30
18-30	±0.25
10-18	±0.20
5-10	±0.15
0-5	±0.10