

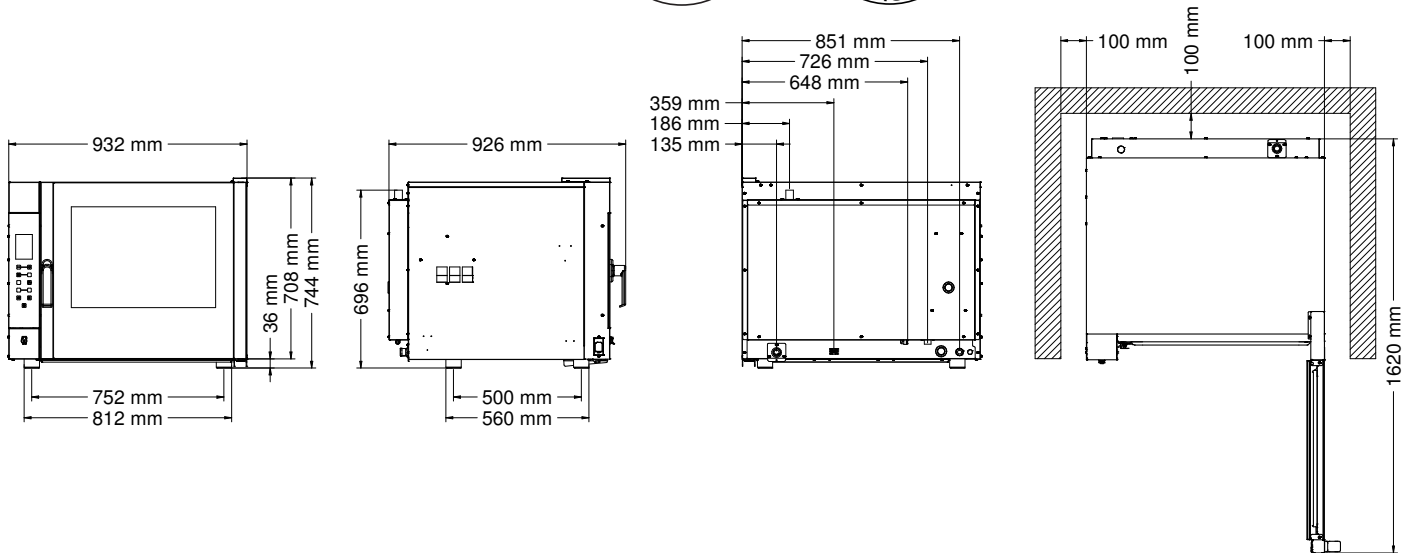
CHF 464 TC



ELECTRIC COMBI OVEN WITH TOUCH CONTROL



A compact oven with all the technology of Touch Line: direct steam with automatic setting, capacity of 4 trays, touch control panel with the possibility to store up to 240 recipes, delayed switching, rapid cooling of the cooking chamber, stackable, predisposition to manual and automatic washing. These are just some of the many features that come with this oven that will allow you to bake leavened products and fine pastries like bread products with the guarantee of excellent results .



DIMENSIONAL FEATURES

Oven dimensions (WxDxH mm)	932	926	744
Oven weight (kg)	84		
Distance between rack rails (mm)	80		

ELECTRICAL FEATURES

Power supply (kW)	8,2
Frequency (Hz)	50/60
Voltage (Volt)	AC 380/400 3N
N° of motors	1 Bidirectional
Boiler	/
Protection against water	IPX5

EQUIPMENT

Cardboard box dimensions with pallet (WxDxH mm)	1000	990	990
Lateral supports	1right + 1left		
Cable	Three-phase + neutral [5G 2,5] - L=1600 mm		
Usb port			
Manual + automatic washing set up			
Plug for core probe			
Removable drip box			

FUNCTIONAL FEATURES

Power	Electricity
Capacity	N° 4 trays / grids (600x400 mm)
Type of cooking	Ventilated
Steam	Direct steam controlled by touch screen (10 levels)
Cooking chamber	AISI 304 Stainless steel
Temperature	30 ÷ 260°C
Temperature control	Digital probe thermometer
Control panel	Touch control - Left side
N° of programs	240
Programmable cooking steps	9
Pre-heating temperature	180°C
Pre-heating function	Programmable
Door	Right side opening with glass extended to cover the condensate collection bowl Ventilated Inspectionable glass
Modularity	Available

PLUS

USB port to upload and download recipes and HACCP data
240 storable recipes (40 Eka recipes, 200 user-settable recipes)
Delayed start function up to 23 hours and 59 minutes
13 languages for the control panel (Italian-French-English-German-Spanish-Romanian-Polish-Bulgarian-Ukrainian-Russian-Greek-Turkish-Czech)
Chamber drain for liquids
Direct chimney for cooking fumes/steam
Double connection water entry (normal and softened)
"All glass" door with "satin-finish" (AISI 304) stainless steel side profiles
Quick cooling of cooking chamber
Screen-printed glass control panel
Adjustable door hinges
Quick fastening of lateral supports
Stainless steel cooking chamber
Embedded gasket
Stackable
Forced cooling system of inner parts
IPX 5
Manual+automatic washing set up
CB certification